

The new generation – DP1

Our new brawny pneumatic nutrunner DP1 is shorter and more slender than its predecessor DPM.

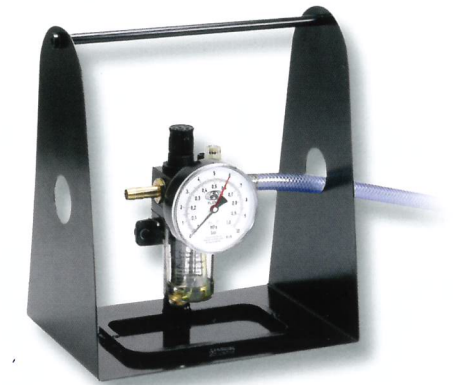
- The 5 new manufactured sizes of the DP1 replace the DPM in the respective performance categories and provide a torque range of 125 - 3,600 Nm.
- Pneumatic nutrunners by Plarad are designed for continuous operation in different application ranges in the fields of installation, maintenance and production. The DP1 is also suited for various tasks in the oil and gas industry or in the mining industry.
- The low-vibration technology protects the user's muscles and joints and effectively prevents the development of HAVS (Hand-Arm Vibration Syndrome).
- The low weight and the sophisticated ergonomic profile ensure an excellent handling.
- The gearbox is designed to sustain a constant load.
- The drive rotates 360°.



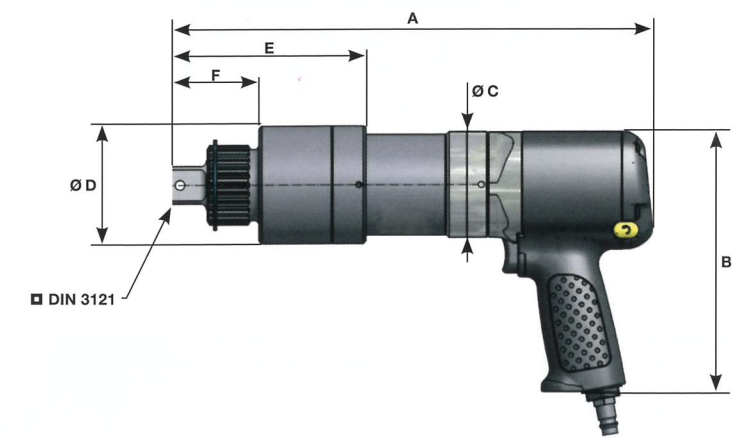
DP1 - robust and reliable in everyday use



TC1 – the mobile measuring unit
Torque Control monitors the torque and thus the on-site bolting process. The system works without cables and is compatible with Plarad's current nutrunner program.



Pressure regulation unit
The desired torque can be set at the pressure regulation unit in accordance with the value listed in the included torque table.



Typ	Pressure p (bar)	Torque range (Nm)	Speed n (rpm)*	A (mm)	B (mm)	C (mm)	Ø D (mm)	E (mm)	F (mm)	■ = Output drive	Weight (kg)
DP1-05	6	125 - 500	55	281	177	72	68,5	144,5	60,5	¾ "	4,7
DP1-10	6	250 - 1.000	27,5	297	177	72	68,5	144,5	60,5	¾ "	4,9
DP1-20	6	380 - 2.000	7,2	321	177	72	80	132	61,5	1 "	6,0
DP1-30	6	580 - 3.000	4,2	337	177	72	80	132	61,5	1 "	6,6
DP1-36	6	760 - 3.600	3,6	337	177	72	80	132	61,5	1 "	6,6